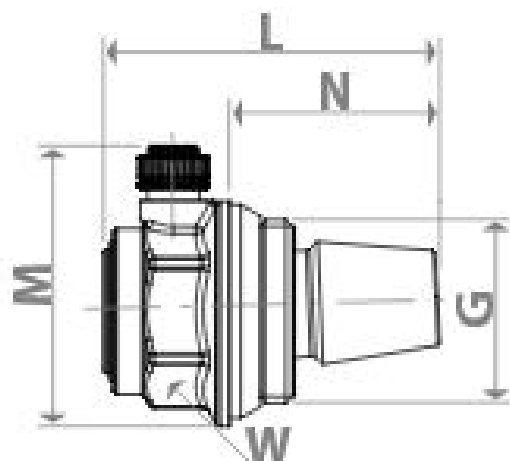


## Dimensions



Product code	Connections G	L [mm]	M [mm]	N [mm]	W [mm]
R200X001	1" right	60	50	37	31
R200X002	1" left	60	50	37	31
R200X003	1 1/4" right	60	62	35	31
R200X004	1 1/4" left	60	62	35	31

## Product specifications

### R200

Automatic air vent valve for radiators with chrome plated brass body. EPDM self-sealing gasket. Security plug in brass. Temperature range: 5÷110 °C. Maximum working pressure: 10 bar. Maximum discharge pressure: 7 bar.